

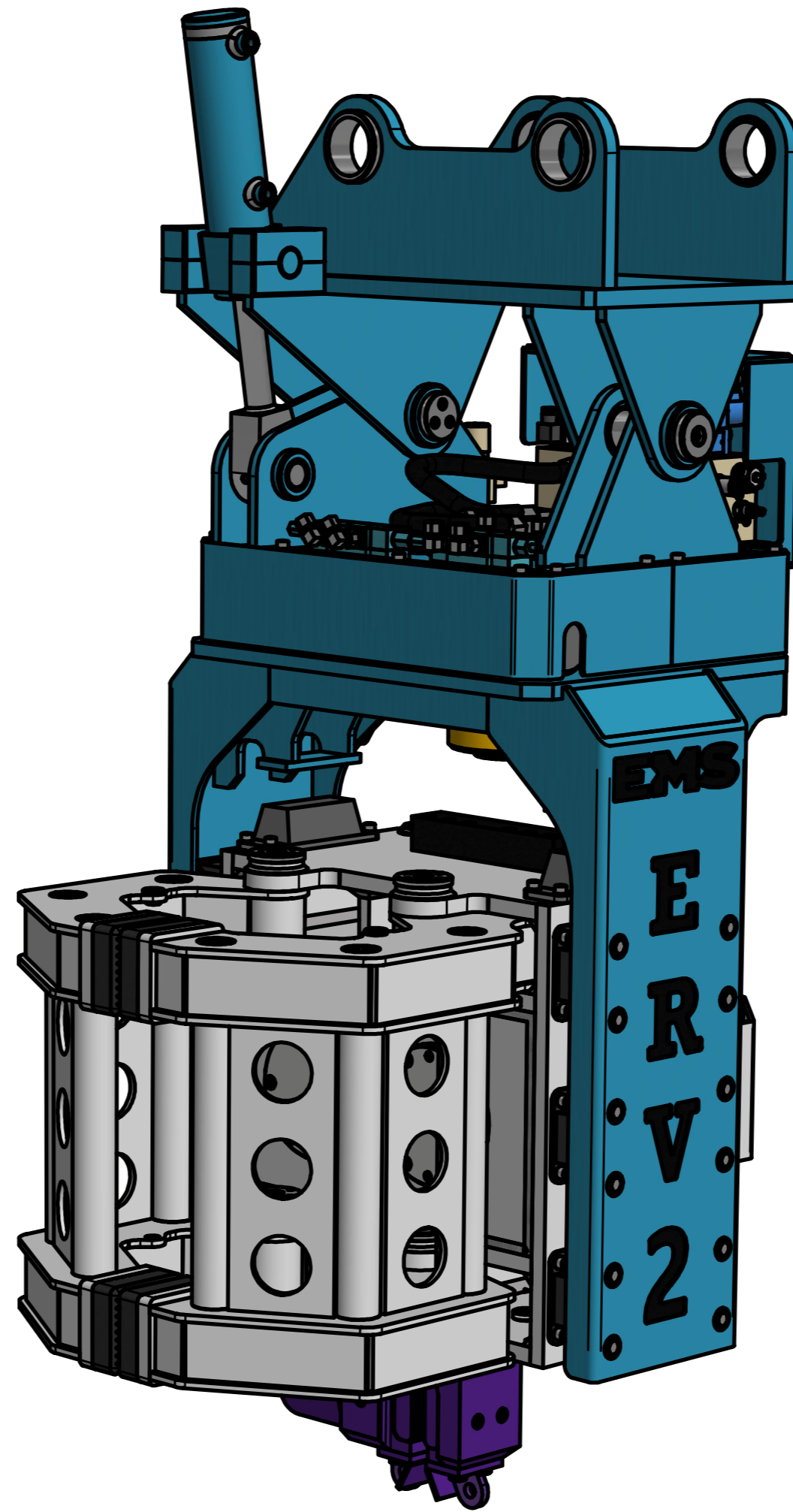
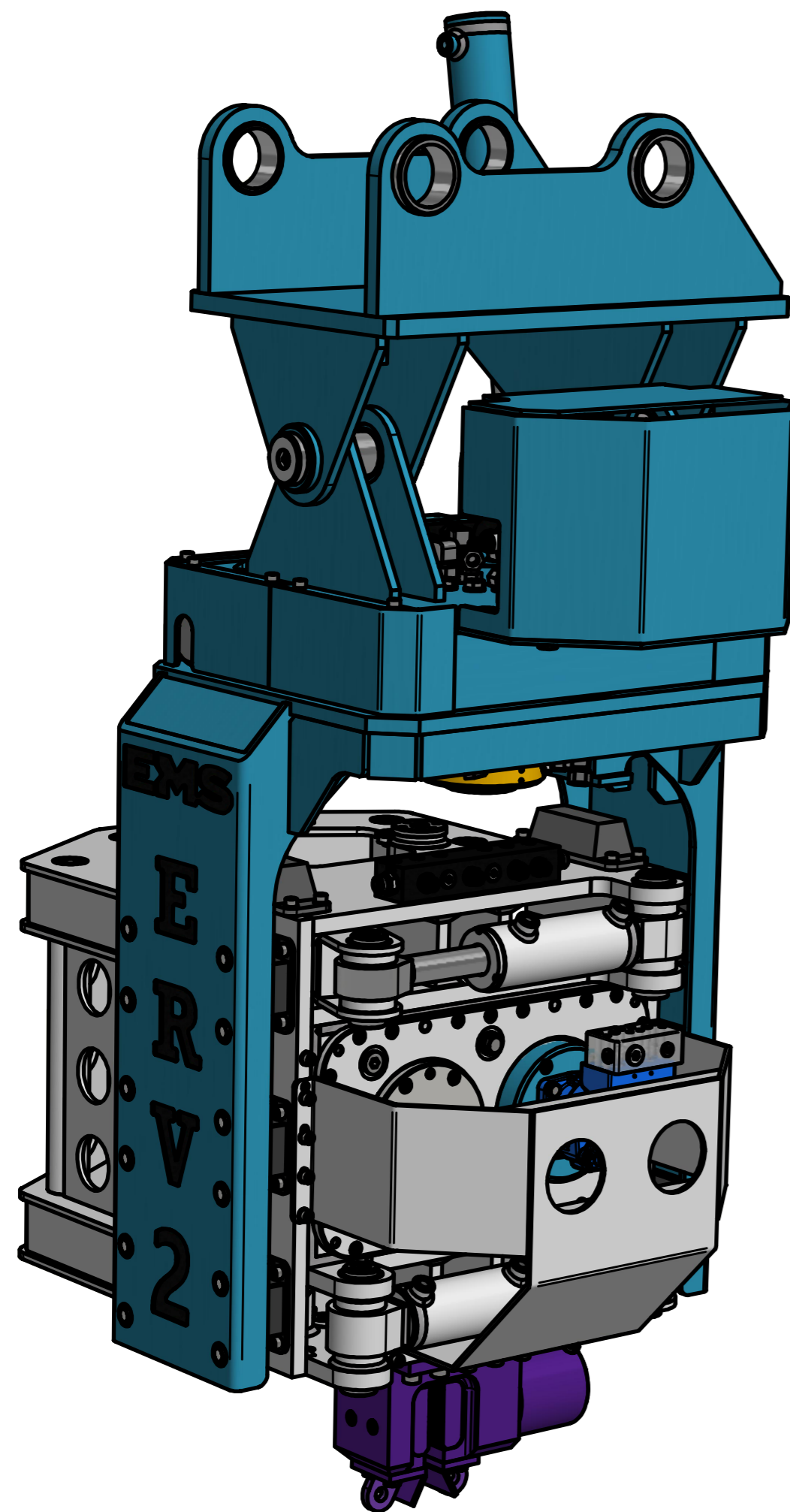
**SIDE
GRIP
TYPE
VIBRATORY
HAMMERS**



IA **INTERNATIONAL**
ATTACHMENTS



ERV-2 Micro Side Clamp Multi Piler/ 8-15 Ton Carrier



ERV2 SIDE GRIPPER

TECNICAL DATA

Weight (excluding adapter) :3900 lbs

Moment : 2,4 Kgm

Centrifugal force : 237 kN

Frequency : 3000 rpm

Working Pressure : 300 bar

Displacement : 26 GPM

Dynamic Weight : 1200

Amplitude : 9 mm

Ratotion : 360 Deg.

Tilt : 20 Deg.

Auto Drive System : Optional

Dimensions: 860mm(L) x 1215mm(W) x

2050mm(H)



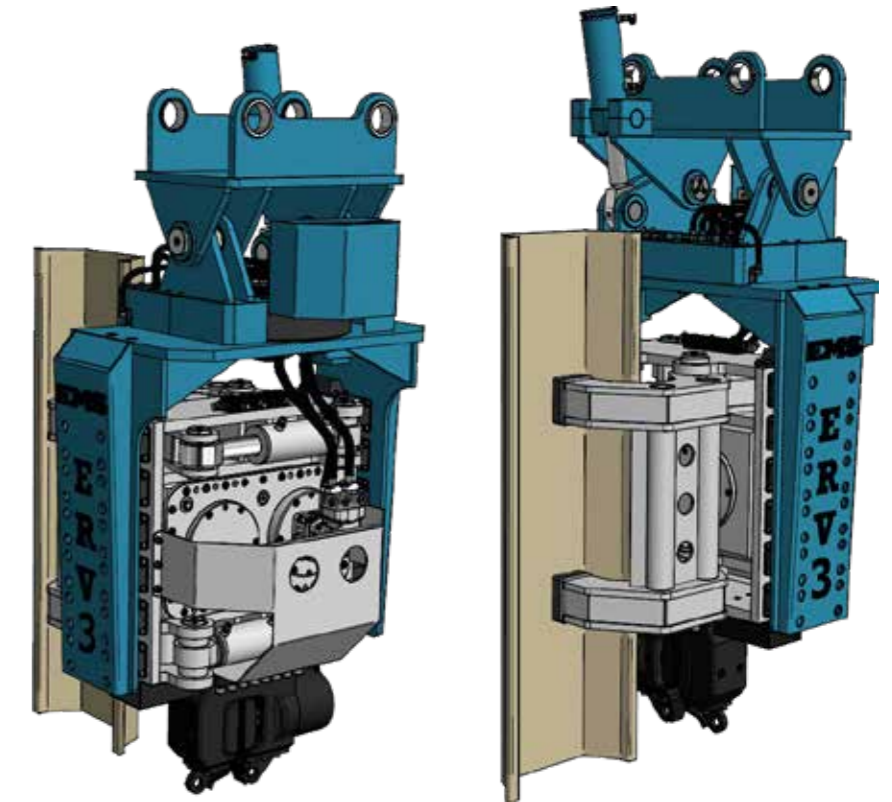
ERV3 SIDE GRIPPER

ERV Series Robotic Pile Drivers Enabling You To Drive Sheet Piles, Steel Tubes, Timber Piles, H,I Beams Cheaper , Safer, Quicker Than Traditional Pile Drivers.

ERV Series Robotic Pile Drivers With Side Grip And Bottom Clamp Picks Up The Piles And Turn To Desired Position Adjusting The Tilt And Start Driving the Pile .

ADVANTAGES

- Drive Steel Sheet Piles , Steel Tubes , Timber Piles, H-I Beams.
- No Manpower Needed except excavator operator resulting less cost .
- Quick Change of Hands Suiting Your Pile Type and Size.
- Special Design resulting No Over Heating Problem.



Weight (excluding adaptor)	3300-lbs
Eccentric Moment	4 kgm
Centrifugal Force	395 kN
Frequency	3000 rpm
Working Pressure	300 Bar
Displacement	35-GPM

Dynamic Weight	3300
Amplitude	7,7 mm
Rotation	360 Deg.
Tilt	20 Deg.
Auto Drive System	Optional
Dimensions	140cm(L) x 140cm(W) x 160 cm(H)



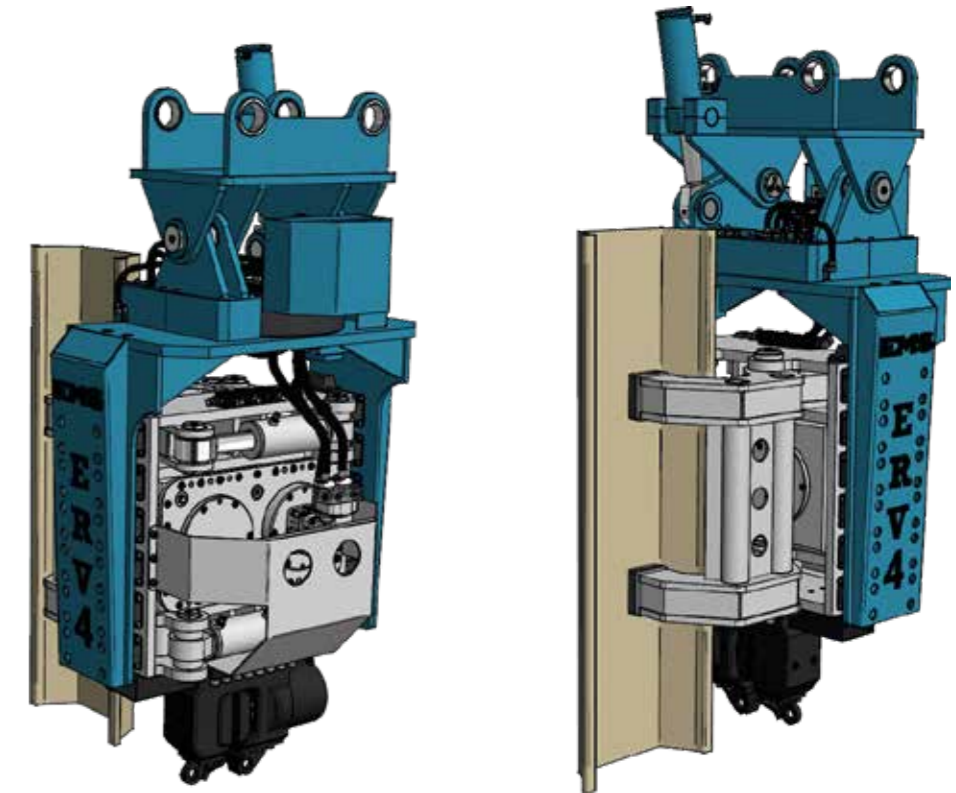
ERV4 SIDE GRIPPER

ERV Series Robotic Pile Drivers Enabling You To Drive Sheet Piles, Steel Tubes, Timber Piles, H,I Beams Cheaper , Safer, Quicker Than Traditional Pile Drivers.

ERV Series Robotic Pile Drivers With Side Grip And Bottom Clamp Picks Up The Piles And Turn To Desired Position Adjusting The Tilt And Start Driving the Pile .

ADVANTAGES

- Drive Steel Sheet Piles , Steel Tubes , Timber Piles, H-I Beams.
- No Manpower Needed except excavator operator resulting less cost .
- Quick Change of Hands Suiting Your Pile Type and Size.
- Special Design resulting No Over Heating Problem.



Weight (excluding adaptor)	3700-Lbs
Eccentric Moment	4 kgm
Centrifugal Force	395 kN
Frequency	3000 rpm
Working Pressure	300 Bar
Displacement	36- GPM

Dynamic Weight	3700-Lbs
Amplitude	7,7 mm
Rotation	360 Deg.
Tilt	20 Deg.
Auto Drive System	Optional
Dimensions	140cm(L) x 140cm(W) x 160 cm(H)



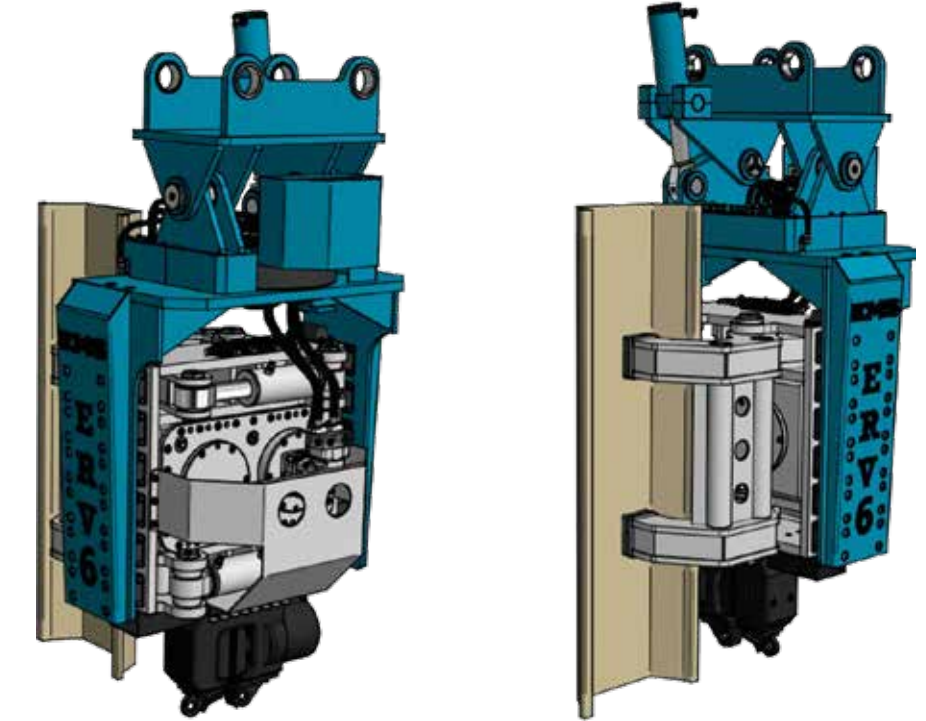
ERV6 SIDE GRIPPER

ERV Series Robotic Pile Drivers Enabling You To Drive Sheet Piles, Steel Tubes, Timber Piles, H,I Beams Cheaper , Safer, Quicker Than Traditional Pile Drivers.

ERV Series Robotic Pile Drivers With Side Grip And Bottom Clamp Picks Up The Piles And Turn To Desired Position Adjusting The Tilt And Start Driving the Pile .

ADVANTAGES

- Drive Steel Sheet Piles , Steel Tubes , Timber Piles, H-I Beams.
- No Manpower Needed except excavator operator resulting less cost.
- Quick Change of Hands Suiting Your Pile Type and Size.
- Special Design resulting No Over Heating Problem. Carrier



Weight (excluding adaptor)	4960- LBS
Eccentric Moment	6 kgm
Centrifugal Force	602 kN
Frequency	3000 rpm
Working Pressure	300 Bar
Displacement	52-GPM

Dynamic Weight	4960- LBS
Amplitude	7,5 mm
Rotation	360 Deg.
Tilt	20 Deg.
Auto Drive System	Optional
Dimensions	160cm(L) x 160cm(W) x 180 cm(H)



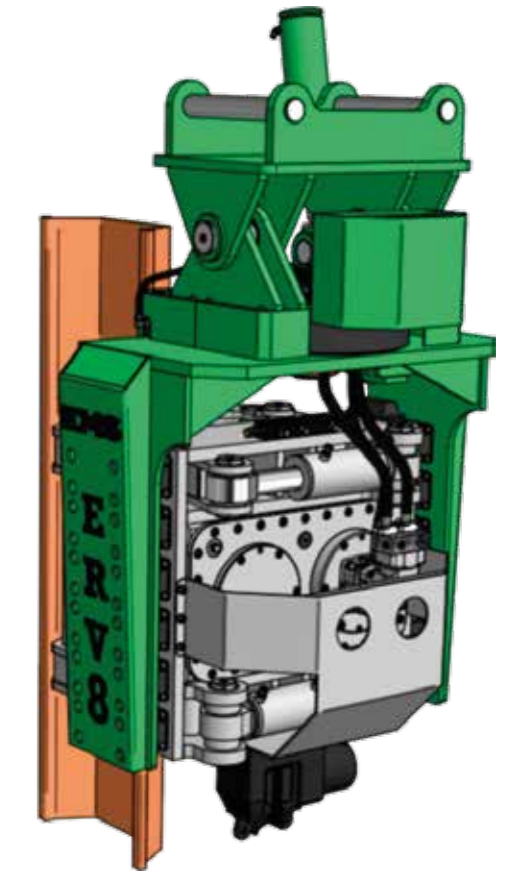
ERV8 SIDE GRIPPER

ERV Series Robotic Pile Drivers Enabling You To Drive Sheet Piles, Steel Tubes, Timber Piles, H,I Beams Cheaper , Safer, Quicker Than Traditional Pile Drivers.

ERV Series Robotic Pile Drivers With Side Grip And Bottom Clamp Picks Up The Piles And Turn To Desired Position Adjusting The Tilt And Start Driving the Pile .

ADVANTAGES

- Drive Steel Sheet Piles , Steel Tubes , Timber Piles, H-I Beams.
- No Manpower Needed except excavator operator resulting less cost.
- Quick Change of Hands Suiting Your Pile Type and Size.
- Special Design resulting No Over Heating Problem.



Weight (excluding adaptor)	7050-LBS
Eccentric Moment	10 kgm
Centrifugal Force	860 kN
Frequency	2800 rpm
Working Pressure	300 Bar
Displacement	66-GPM

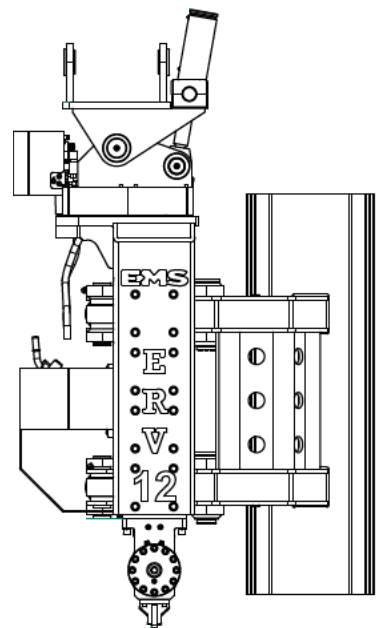
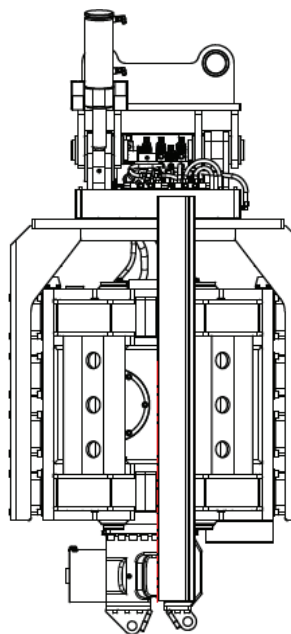
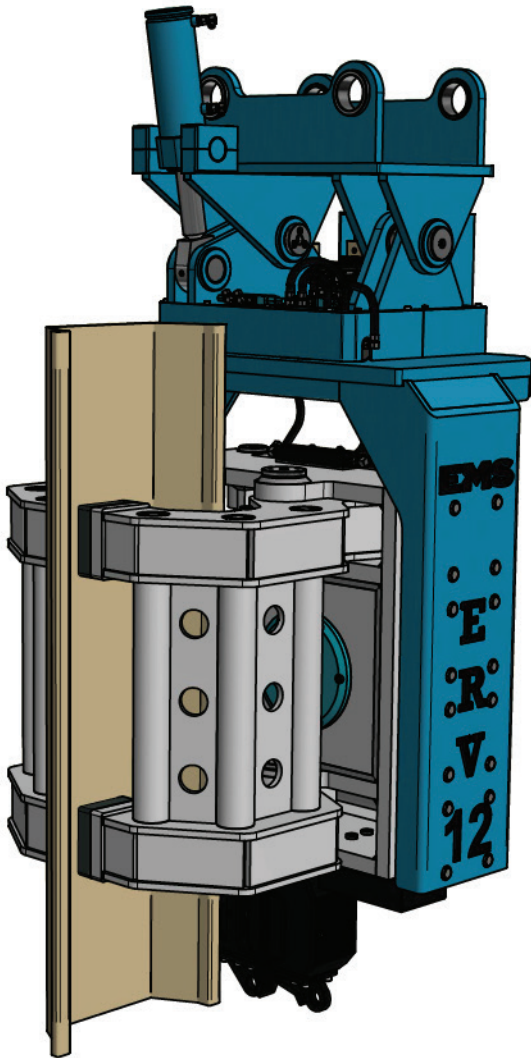
Dynamic Weight	7050-LBS
Amplitude	8,6 mm
Rotation	360 Deg.
Tilt	20 Deg.
Auto Drive System	Optional
Dimensions	180cm(L) x 180cm(W) x 200 cm(H)

ERV 12 SIDE GRIP VIBRO SHEET PILE DRIVER

For 40 - 50 + ton Excavators

I.A.I. supplies a range of side grip excavator mounted sheet pile drivers, including the ERV 12 Series. These models are highly versatile attachments and can drive a range of piles including Sheet Piles, Steel Tubes, Timber Piles and H-I Beams.

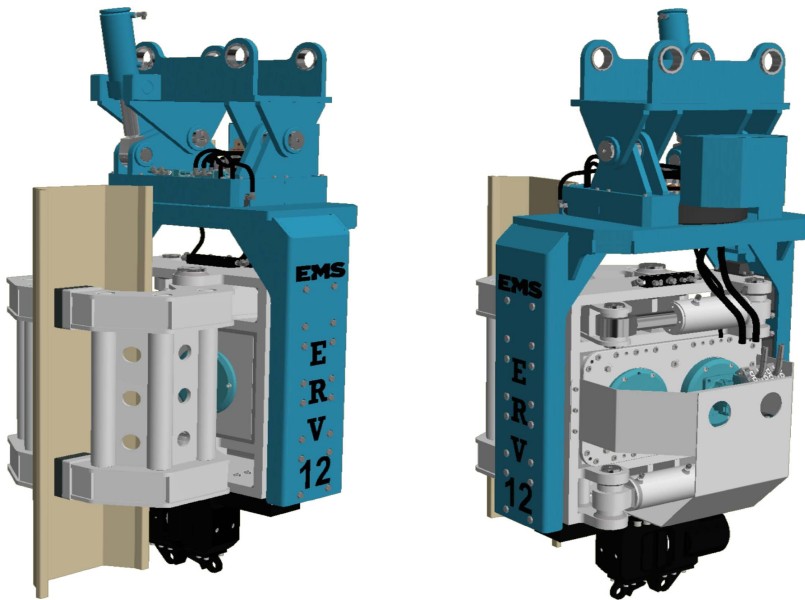
Safer and faster than traditional Pile Drivers on the market, this model features a side and bottom clamp to easily pick up, tilt and turn piles for more accurate results.



ERV 12

SIDE GRIP VIBRO SHEET PILE DRIVER

ERV12 SIDE GRIP
TECNICAL DATA
Weight (excluding adaptor) : 9920 lbs
Moment : 14,5 Kgm
Centrifugal force : 1122 kN
Frequency : 2600 rpm
Working Pressure : 300 bar
Displacement : 83 GPM
Dynamic Weight : 9920 lbs
Amplitude : 9 mm
Rotation : 360 Deg.
Tilt : 20 Deg.
Auto Drive System : Optional
Dimensions: 1500mm(L) x
1600mm(W) x 3090mm(H)





International Attachments Inc. / www.iai-usa.com/ 1-877-219-1962 USA/ Authorized Dealer