

Silent Piler 600Y

The Multi-functional silent piler adopts full hydraulic drive and full automatic control. It has the advantages of no vibratory. By replacing different models or fixtures, it can be applied to various pile types. The maximum pulling force can reach 150 Tons.



Silent



Stable



Efficient



Safe



Features:

- ▲ No noise, no vibration, small influence during engineering.
- ▲ Small equipment volume, convenient to transfer to new construction field.
- ▲ It can also add the water knife system and rotary digging system according to the different geological conditions.
- ▲ Available for a wide range of piles such as U Type steel sheet pile, Z Type Steel sheet pile, H Beam, Pipe Pile, PHC pile and so on.
- ▲ Precise design, reliable performance.

International attachments Inc.

www.iai-usa.com | 1-877-219-1962 | Email: info@iai-usa.com
Worldwide sales and service, On site Training and maintenance.



INTERNATIONAL
ATTACHMENTS

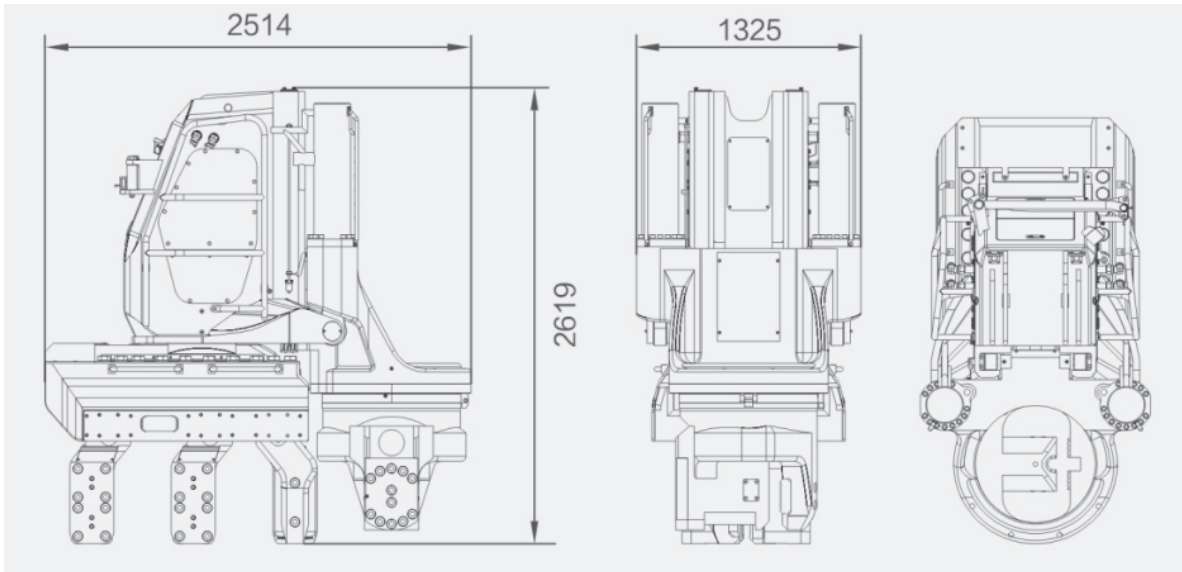
Expert help a call away!

☎ 877-219-1962 Toll Free

✉ Info@iai-usa.com

🌐 iai-usa.com

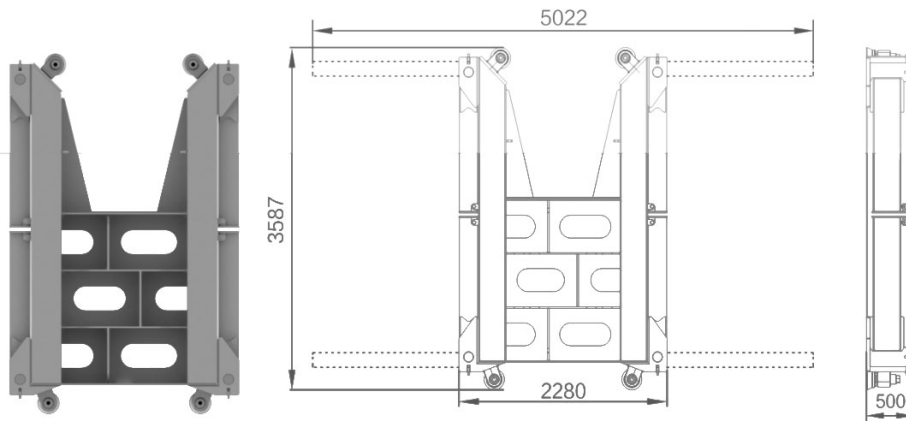
USA/ Canada and Mexico , South America Sales and Service



600Y Specifications

LxWxH (Excluding base)	Inches	98.9x52.1x103.1
Weight (Excluding base)	Pounds	22011
LxWxH of Counterforce base	Inches	141.2x89.7x19.6
Weight of Counterforce base	Pounds	7496
Max pile driving force	Tons	150
Max pulling force	Tons	160
Applicable pile type	U600 Series	

600Y Base Parameter



⚠ Preliminary selection. When making the final selection soil and site conditions shall be taken into account. Specifications are subject to change without notice.

International attachments Inc.

www.iai-usa.com | 1-877-219-1962 | Email: info@iai-usa.com
Worldwide sales and service, On site Training and maintenance.