

Silent Piler 400Y

The Multi-functional silent piler adopts full hydraulic drive and full automatic control. It has the advantages of no vibratory. By replacing different models or fixtures, it can be applied to various pile types. The maximum pulling force can reach 110 Tons.



Silent



Stable



Efficient



Safe

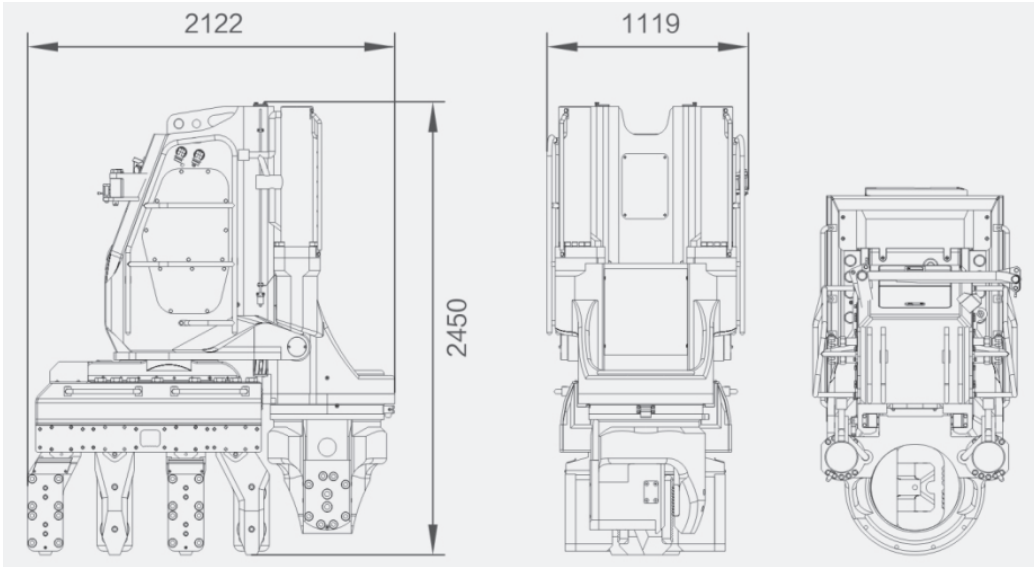


Features:

- ▲ No noise, no vibration, small influence during engineering.
- ▲ Small equipment volume, convenient to transfer to new construction field.
- ▲ It can also add the water knife system and rotary digging system according to the different geological conditions.
- ▲ Available for a wide range of piles such as U Type steel sheet pile, Z Type Steel sheet pile, H Beam, Pipe Pile, PHC pile and so on.
- ▲ Precise design, reliable performance.

International attachments Inc.

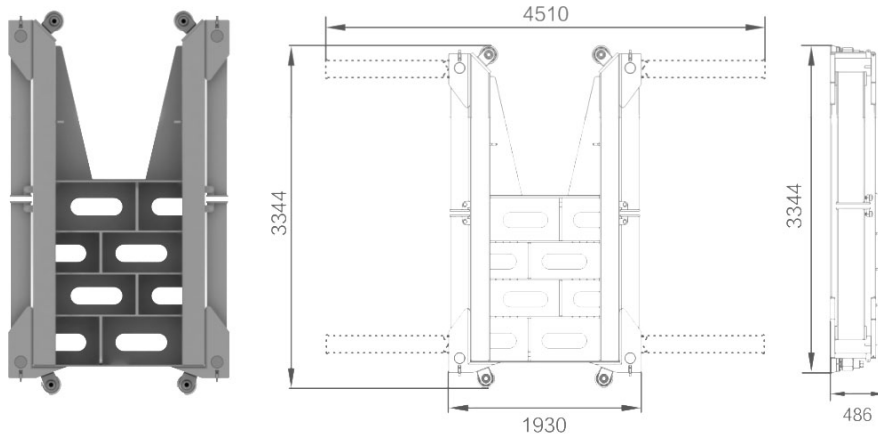
www.iai-usa.com | 1-877-219-1962 | Email: info@iai-usa.com
Worldwide sales and service, On site Training and maintenance.



400Y Specifications

LxWxH (Excluding base)	Inches	83.5x44x96.4
Weight (Excluding base)	Pounds	16535
LxWxH of Counterforce base	Inches	131.6x75.9x19.1
Weight of Counterforce base	Pounds	6085
Max pile driving force	Tons	100
Max pulling force	Tons	110
Applicable pile type	U400X150, U400X170	

400Y Base Parameter



⚠ Preliminary selection. When making the final selection soil and site conditions shall be taken into account. Specifications are subject to change without notice.

International attachments Inc.

www.iai-usa.com | 1-877-219-1962 | Email: info@iai-usa.com
Worldwide sales and service, On site Training and maintenance.