

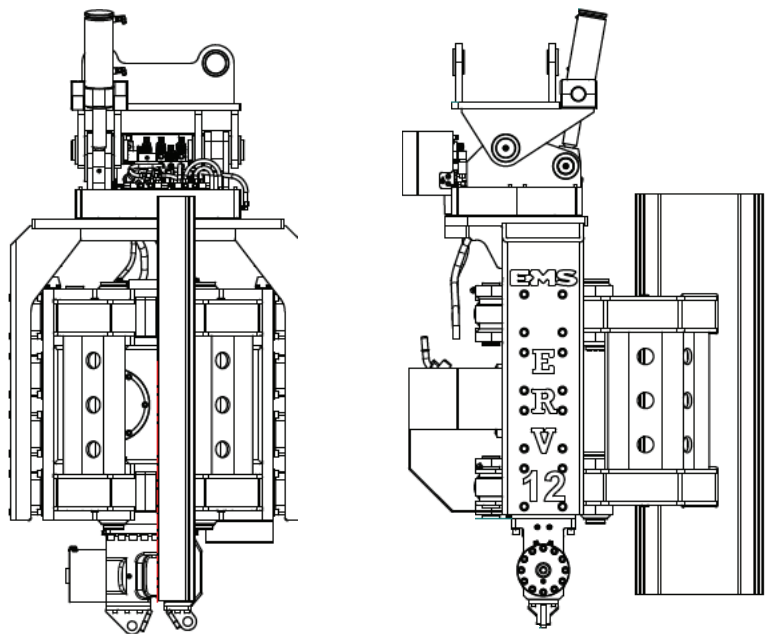
## ERV 12 SIDE GRIP VIBRO SHEET PILE DRIVER

For 40 - 50 + ton Excavators

I.A.I. supplies a range of side grip excavator mounted sheet pile drivers, including the ERV 12 Series. These models are highly versatile attachments and can drive a range of piles including Sheet Piles, Steel Tubes, Timber Piles and H-I Beams.

Safer and faster than traditional Pile Drivers on the market, this model features a side and bottom clamp to easily pick up, tilt and turn piles for more accurate results.

The ERV 12 attaches to a range of excavators from 40 to 55+ ton in size.



# ERV 12

## SIDE GRIP VIBRO SHEET PILE DRIVER

ERV12 SIDE GRIP  
TECNICAL DATA  
Weight (excluding adaptor) : 9920 lbs  
Moment : 14,5 Kgm  
Centrifugal force : 1122 kN  
Frequency : 2600 rpm  
Working Pressure : 300 bar  
Displacement : 83 GPM  
Dynamic Weight : 9920 lbs  
Amplitude : 9 mm  
Rotation : 360 Deg.  
Tilt : 20 Deg.  
Auto Drive System : Optional  
Dimensions: 1500mm(L) x  
1600mm(W) x 3090mm(H)

