

ERV 4 Side Grip Robotic Pile Driver



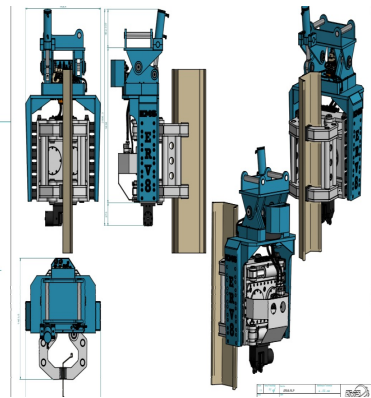
International Attachments Inc
www.iai-usa.com
1-877-219-1962

15-28 ton carrier

ERV Series Robotic Pile Drivers Enabling You To Drive Sheet Piles, Steel Tubes, Timber Piles, H,I Beams Cheaper , Safer, Quicker Than Traditional Pile Drivers. ERV Series Robotic Pile Drivers With Side Grip And Bottom Clamp Picks Up The Piles And Turn To Desired Position Adjusting The Tilt And Start Driving the Pile .

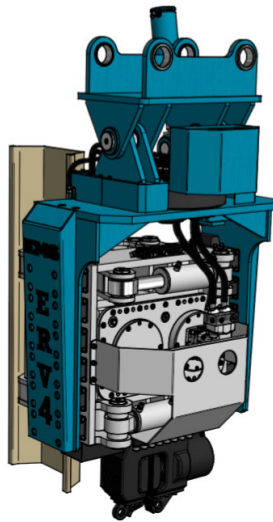
TECHNICAL DATA

Weight (excluding adaptor)	: 3700lbs	Dynamic Weight	: 2314 lbs
Eccentric	: 4 kgm	Amplitude	: 7,7 mm
Force	: 40 tons	Rotation	: 360 Deg.
Frequency	: 3000 rpm	Tilt	: 20 Deg.
Working Pressure	: 300 Bar	Auto Drive System	: Optional
Displacement	: 35r/GPM	Dimensions	: 55"(L) x 55"(W) x 63"(H)



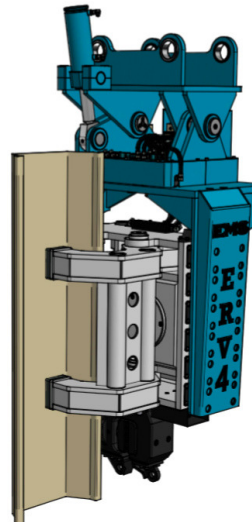
Sheet Piles

From 11.8" to 24" Width From 6" to 12" Depth Max.Up to 1653 Lbs/ Each Pile



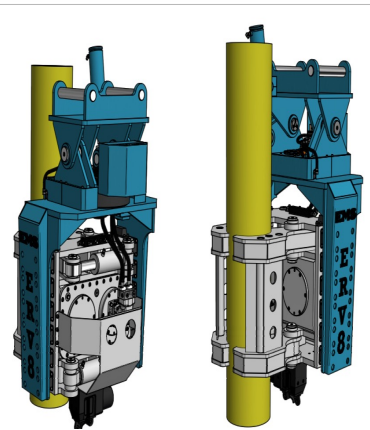
H-I Beams

From H160 to H260 Max.Up to 1653 lbs/ Each Beam



Steel Tubes

From 6" to 12.6" Diameter Max.Up to 750 1653 lbs/ Each Pipe



Wood Piles

From 6" to 12.6" Diameter Max.Up to 1653lbs/ Each Timber



Comes with Remote Control Pannel

